



406 State St.  
 Augusta, Kansas 67010  
 Telephone: 844-5GEARUP  
 Web: www.mygearup.com

## MODEL: 20095 OAK FLOOR-TO-CEILING BICYCLE STORAGE SYSTEM

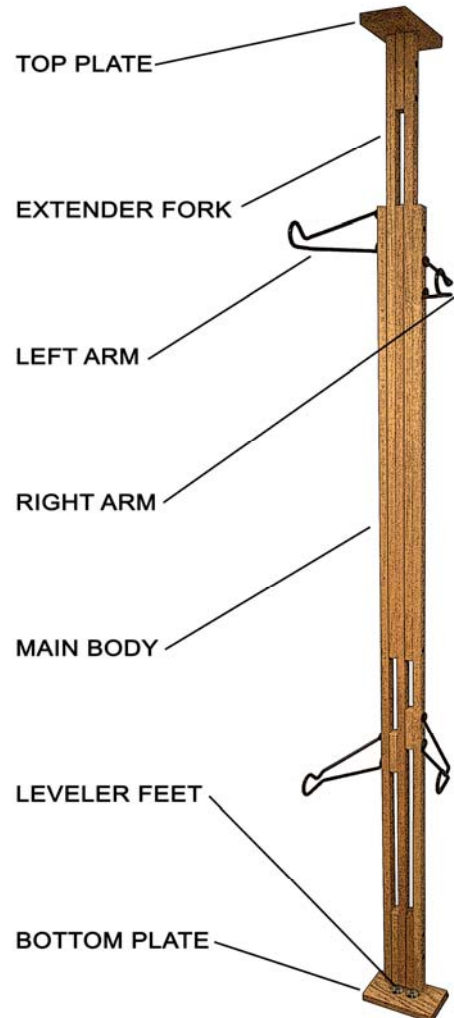
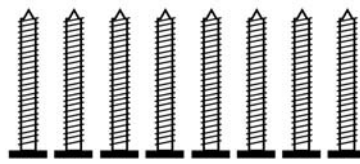
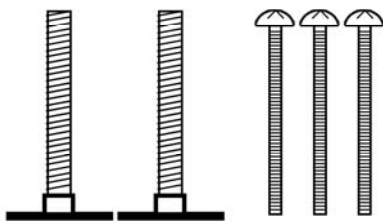
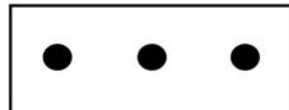
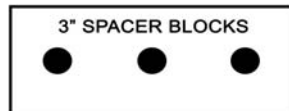
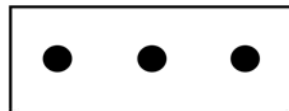
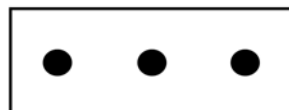
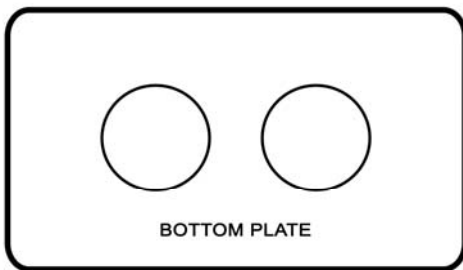
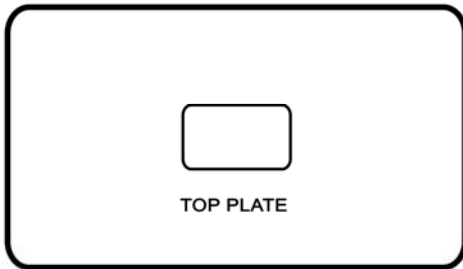
### INSTALLATION INSTRUCTIONS

**THANK YOU FOR YOUR PURCHASE.** We take a **SATISFACTION GUARANTEED** approach to our products and our business, if you are not satisfied in any way, or if we can provide you with assistance or information, PLEASE call us TOLL FREE at 844-543-2787 or e-mail us at [contactus@mygearup.com](mailto:contactus@mygearup.com).

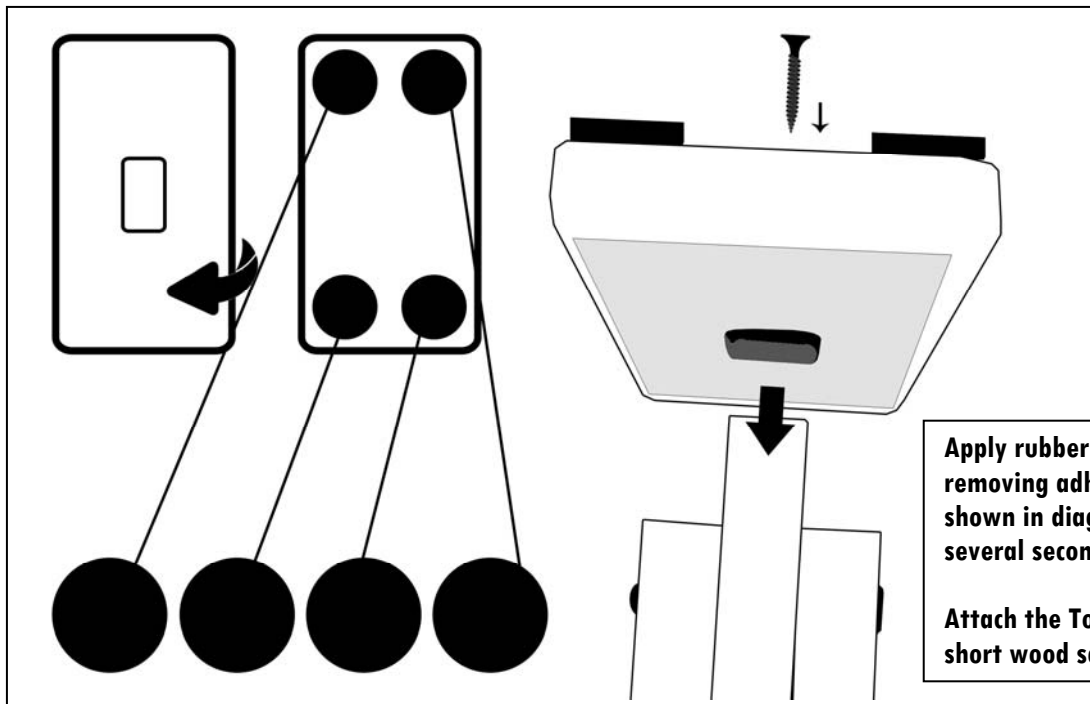
THE OAK FLOOR-TO-CEILING Bicycle Storage system comes equipped to store 2 standard two wheel bicycles of any frame design. Two additional bicycles can be stored with the purchase of OAK Add-On Kits model 20080. Each Add-On Kit holds one bicycle.

Please read these instructions in full BEFORE ASSEMBLY. Assistance is required to install and secure this product.

#### PARTS LIST



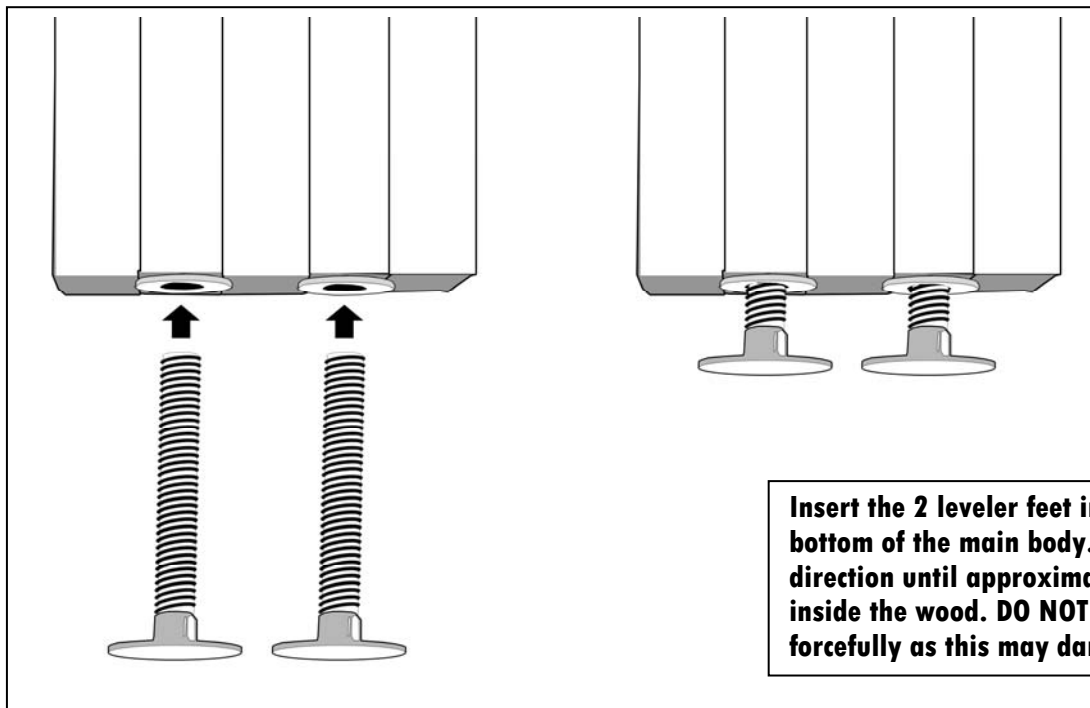
## STEP ONE



Apply rubber dots to back side of Top Plate by removing adhesive backing and mounting as shown in diagram. Use thumb to press down for several seconds to ensure adhesive sticks.

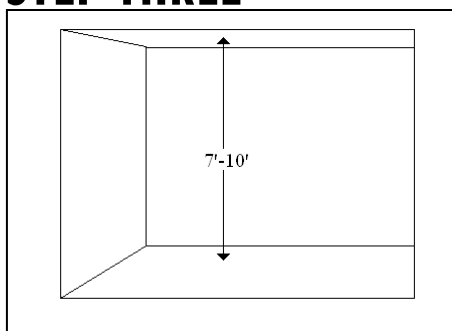
Attach the Top plate to the extender fork with 1-short wood screw as shown. Tighten Screw.

## STEP TWO



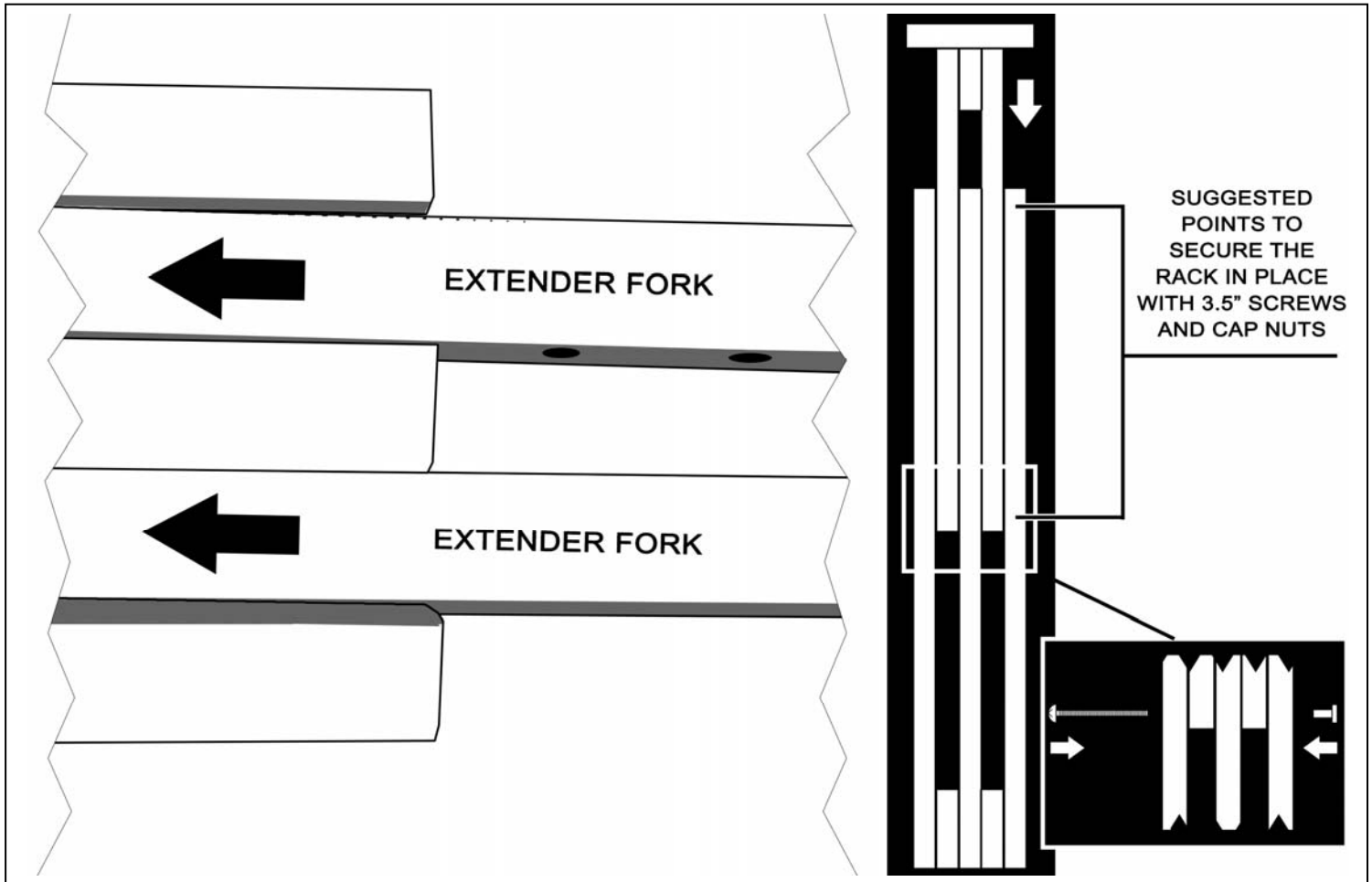
Insert the 2 leveler feet into the threaded inserts in the bottom of the main body. Turn them in a counter clockwise direction until approximately  $\frac{3}{4}$  or more of the foot is inside the wood. **DO NOT** Thread all the way in and turn forcefully as this may damage the rack.

## STEP THREE

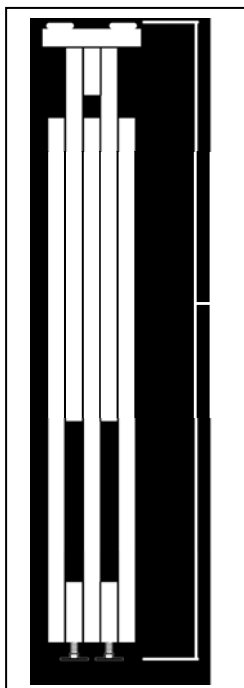


Measure the height of the ceiling where you plan to install the rack. Your distance must be between 7ft(2.14M) -10ft (3.05M) for this rack to work properly. Make note of the distance between the floor and the ceiling. **\*IMPORTANT\*** This Rack must be installed directly below a ceiling joist, crossbeam or other structural support strong enough to handle the tension. If in doubt consult an expert.

## STEP FOUR

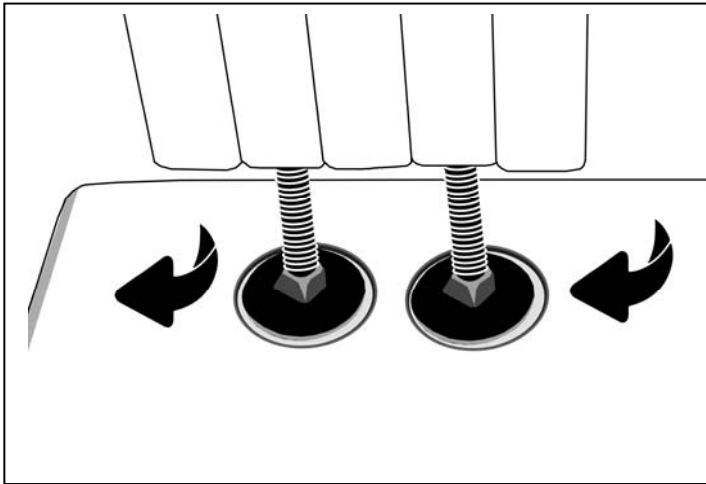


Insert extender fork into main body section as shown. Adjust total length (from top of top plate to bottom of leveler feet) to less than 1" of the actual ceiling height as measured in step 3 (See illustration below). Secure the extender fork and the main body sections together using 2-3.5" screws and 2 cap nuts. For maximum stability insert screws near points referenced in above illustration. Tighten securely using Phillips screwdriver and the hex key provided.



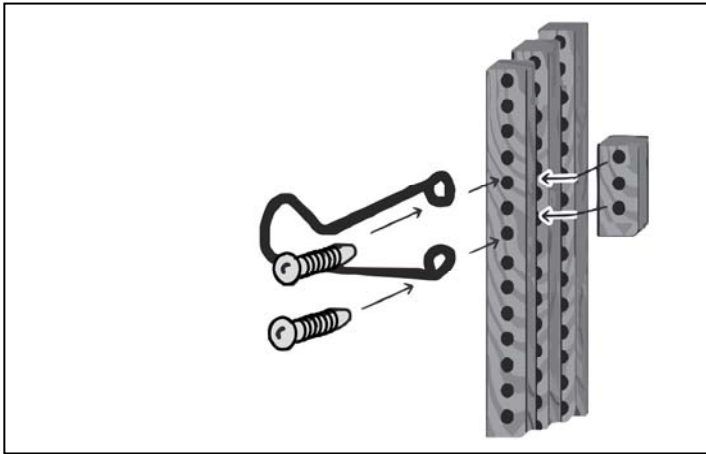
Measure Height from Bottom of Leveler Foot to Top of Rubber Dot. This distance should be as close to 1 inch (2.5cm) less than your ceiling height as possible.

## STEP FIVE



**\* IMPORTANT\*** install bicycle rack directly below ceiling beam. Stand rack upright and place bottom plate under leveler feet. Unscrew 2-leveler feet in a clockwise motion until rack is against ceiling. Check rack for vertical placement (carpenters level is recommended for this). Using 8mm wrench or adjustable wrench, unscrew leveler feet equally until there is sufficient tension on rack. (OPTIONAL) Using 2-long wood screws, you can attach the top plate to ceiling. Make sure to drill pilot holes in the Top Plate should you choose to do this. *A Minimum of 3" (7.6cm) long screw is suggested.*

## STEP SIX



Position right arm at desired height and attach 2-hex head screws through arm, main body, and into 3" spacer block. Repeat step six for all arms.

Arms may be off set to assure bikes with slant frame or y-frames will hang parallel to the floor.

## WARNING

### ***DO NOT STEP, CLIMB, OR HANG ON THE STORAGE RACK***

**DO NOT ALLOW SMALL CHILDREN OR PETS TO PLAY IN, ON, OR AROUND THE STORAGE RACK. IMPROPER INSTALLATION AND/OR USE OF THE STORAGE RACK COULD CAUSE SERIOUS INJURY AND/OR DEATH.**

User assumes total responsibility for the proper installation and use of this product. GearUp Inc. will not be held liable for damages or injuries resulting from the installation and/or use of this product. If the installer or user is unsure of the requirements described herein, it is his/her responsibility to seek adequate professional assistance or contact our customer care center at 844-543-2787. **REMEMBER** – stored items can fall resulting in injuries and/or property damage when not properly installed or used.

**THANK YOU** again for your purchase. **YOUR SATISFACTION IS OUR TOP PRIORITY!** We have worked hard to make sure the product you purchased is of top quality and that all parts and necessary instructions have been included. If we have overlooked anything, or if we can be of assistance, help walk you through installation, or offer tips on how to use our product, **PLEASE** give us a call on our **Toll Free Customer Hotline 844-543-2787**. Visit us at our web site [www.mygearup.com](http://www.mygearup.com) for other storage solutions and special offerings.