

CAT5E RJ45 MODULAR PLUG (FEED THROUGH STYLE)

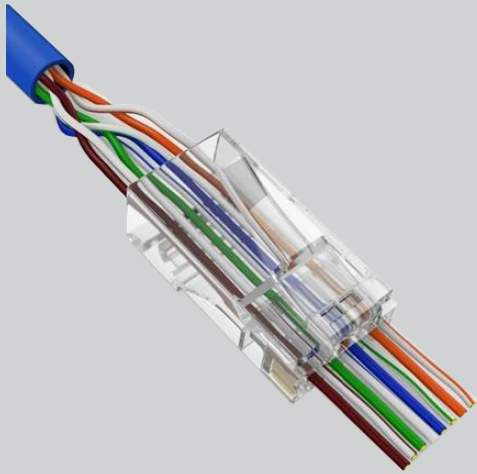
Cat5eCableGuy.Com

DESCRIPTION

Category 5E, RJ45 Modular Connector,
Feed Through.

FEATURES

- Feed through design
- Fast and easy to terminate
- Easier sequence verification
- Gold plated terminal contact
- For solid and stranded cable



SKU: 011-018/EZF-100

Electrical

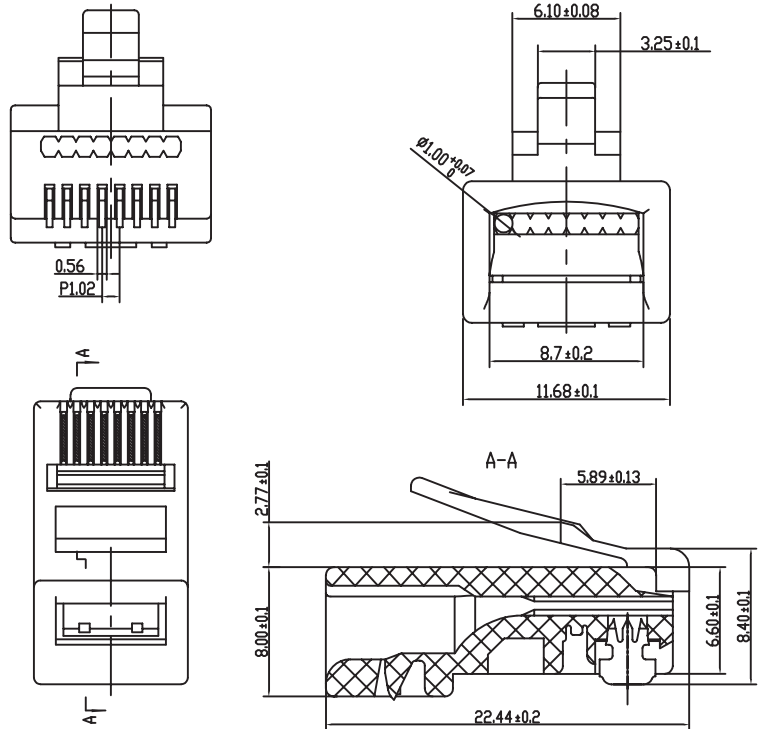
Voltage Rating	150 VAC RMS
Current Rating	1.5 Amps
Termination Resistance	20m Ω Max
Insulation Resistance	1000m Ω Min. @ 500V DC

Mechanical

Cable to Plug Tensile Strength	20 lbs
Durability	500 Cycles Min.

Material

Housing	Polycarbonate UL94V-2
Contact Blade	Gold Plated (3 Prong)
Conductor Type	For Solid and Stranded Wire
Conductor Size	For 24AWG - 26AWG
Insulation Size	1.0mm max



Cat5eCableGuy.Com
Where Quality Cable is on Sale!

