

CAT5E MODULAR PLUG 3 PRONG 50u" GOLD PLATED

Cat5eCableGuy.Com

DESCRIPTION

Category-5E, RJ45 Modular, 8P 8C,
50 Micro-inches Gold Plated.

FEATURES

- * 50 Micro-Inches Gold Plated
- * For Stranded or Solid Cable
- * 24AWG - 26AWG Cable



Electrical

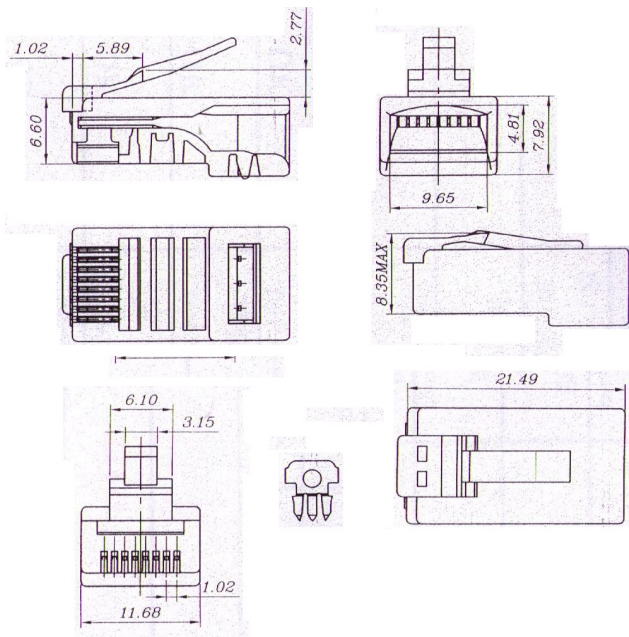
UL Applications	250Volts AC Max, AT 2 Amps
Dielectric Withstanding Voltage	500Volts AC
Insulation Resistance	100m Ω
Terminatin Resistance	20m Ω Max
	After Environmental Testing

Mechanical

Cable to Plug Tensile Strenght	20 lbs min.
Durability	200 Mating Cycles

Material

Housing	Polycarbonate, UL94V-0
Color	Transparent
Contact Blade	Copper Alloy 3 Prong
Conductor Type	For Stranded or Solid Wire
Conductor Size	For 24AWG, 26AWG
Gold Plating	50u"



Cat5eCableGuy.Com
Where Quality Cable is on Sale!