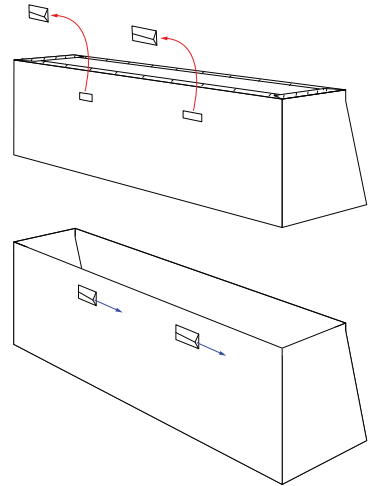


Recover Installation

1

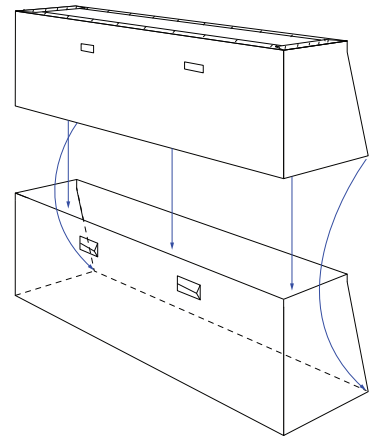
Match direction of pocket cover openings to ensure proper direction when fitting.

Remove pocket covers from damaged covers.



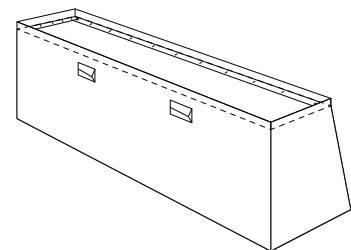
2

Pull recover over dock seal pad. If the pad is wedged start with the wedge first to make insertion easier.



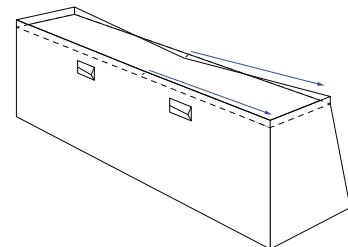
3

Pull Recover up until 1.5"-2" of material extends past the back of the seal.



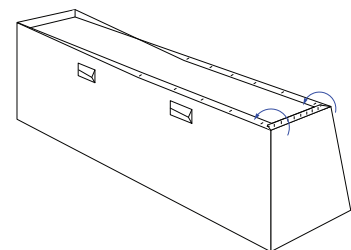
4

Starting at the middle, pull the material up until at least 2" is past the backer, then securely staple to the wood backer. Continue this step towards the end from the middle.



5

Pull up the material at the end until taught, Be sure to avoid creasing the vertical due to over pulling. Fold in corners and securely staple to the wood backer.



6

Going in the opposite direction Repeat steps 4 & 5 to finish installing.

