

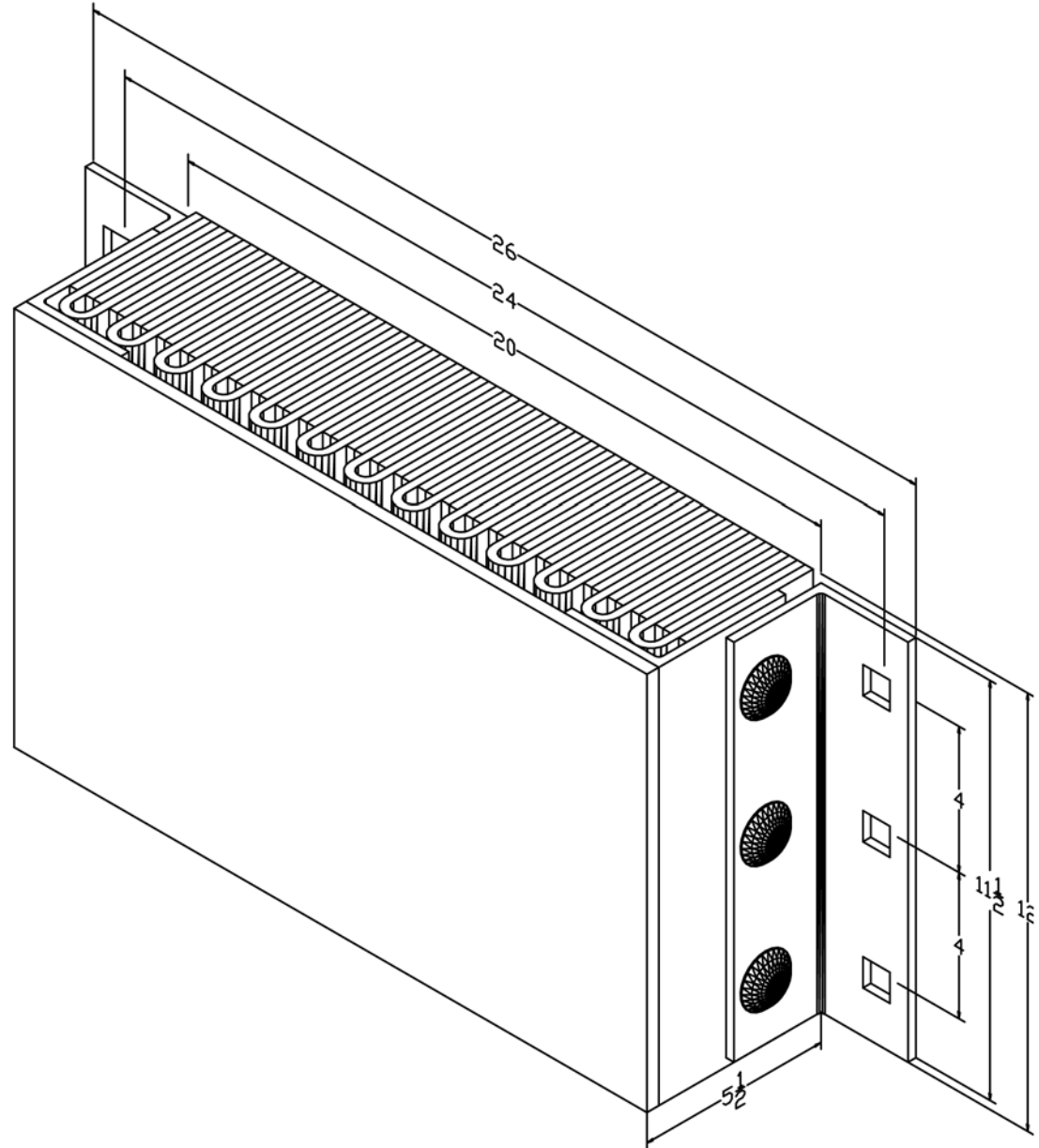
# MODEL: *B5512-24-DS*

## *Size*

Projection 5-1/2"  
Height 12"

## *Length*

-Overall 26"  
-Anchor Holes 24"  
-Rubber 20"  
Angle Size(2) 1/4"x3"x3"x11-1/2"  
Slot Angle Size 1/4"x3"x4"x12"  
Face Plate Size (1) 3/8"x12"x20"



**All measurements are within +/- 1/8"**