

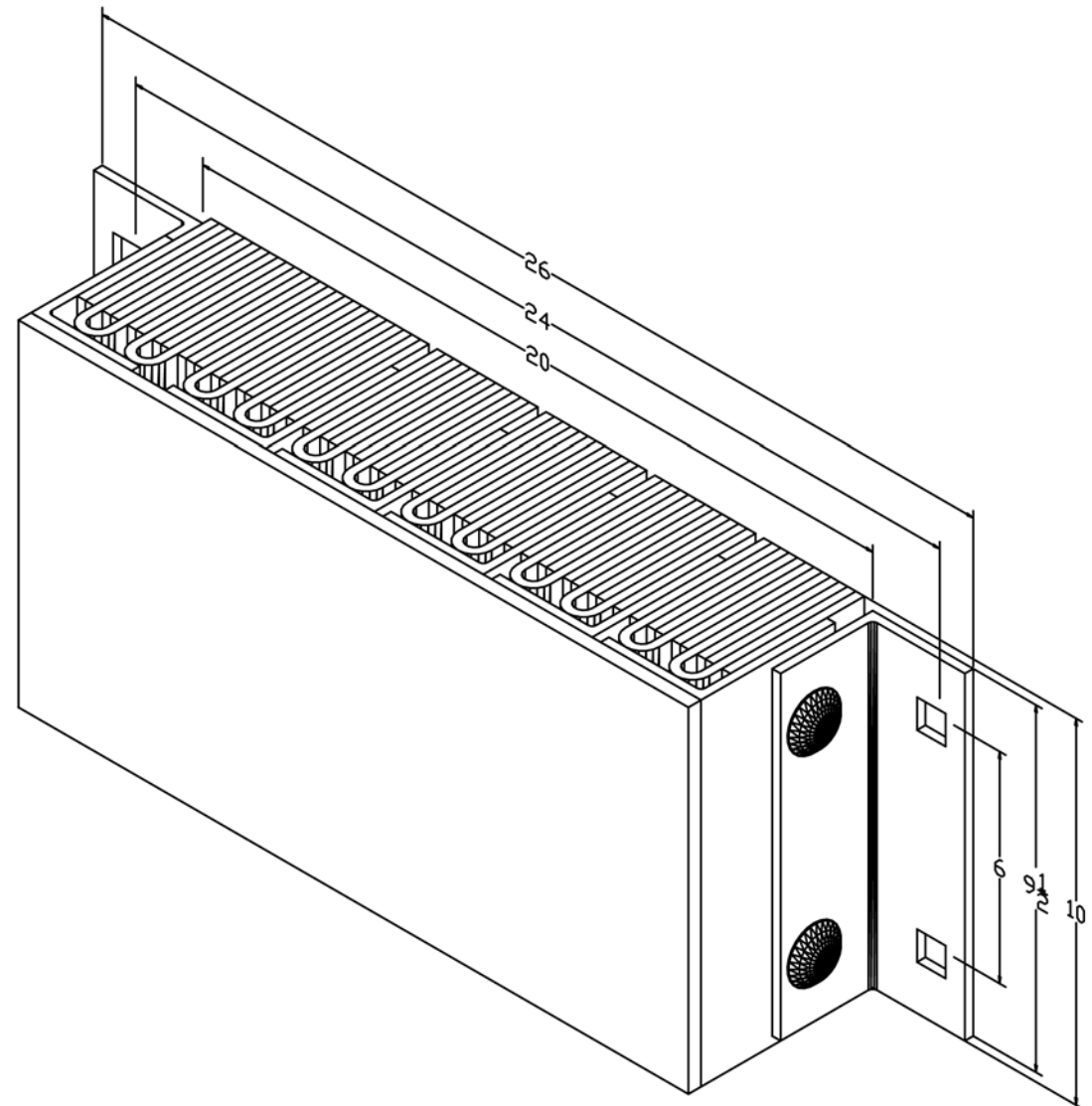
MODEL: *B5510-24-DS*

Size

Projection 5-1/2"
Height 10"

Length

-Overall 26"
-Anchor Holes 24"
-Rubber 20"
Angle Size (2) 1/4"x3"x3"x9-1/2"
Slot Angle Size 1/4"x3"x4"x9-1/2"
Face Plate Size (1) 3/8"x10"x20"



All measurements are within +/- 1/8"