

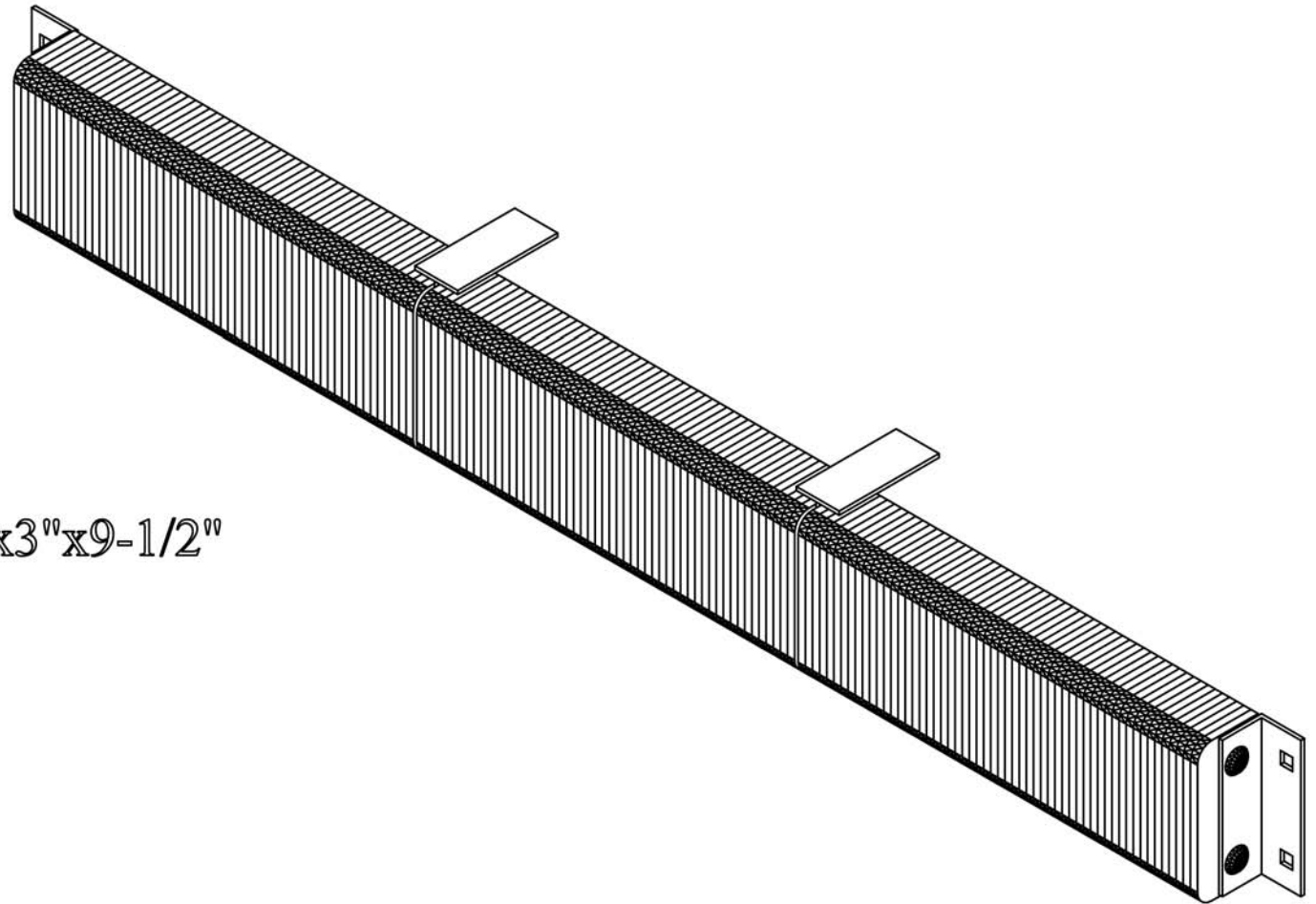
MODEL: *B4510-87-A*

Size

Projection      4-1/2"  
Height          10"

Length:

-Overall          89"  
-Anchor Holes   87"  
-Rubber          83"  
Angle Size (2)   1/4"x3"x3"x9-1/2"



Bolt Heads Are Inscribed  
"DURABLE CORP"

All measurements are +/- 1/8"

# Laminated Dock Bumpers

## B4510-87-A

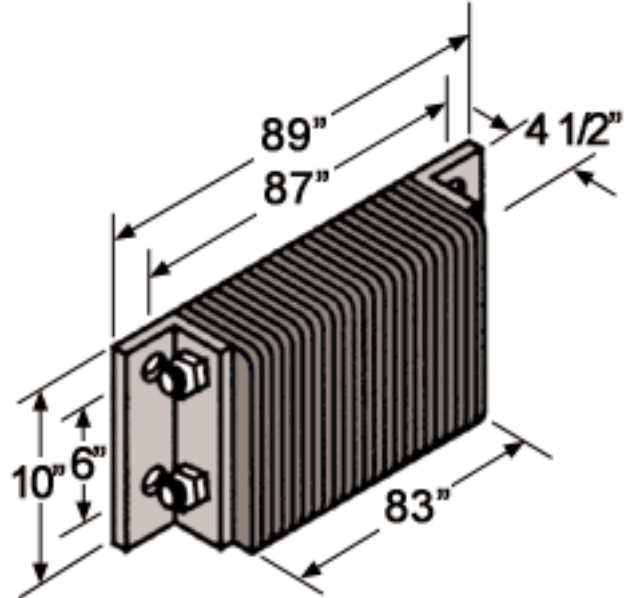
4 1/2" X 10" X 87"

Loading Dock Supply  
PO Box 15  
Ashley, OH 43003  
1-800-741-1258

WWW.LOADINGDOCKSUPPLY.COM

### Features

Tough plies of truck tire material virtually eliminates chipping or abrasion, unlike molded rubber, extruded rubber, conveyor belting or wood plank bumpers. Attractive deep black color enhances a neat, professional architectural look. Manufactured under pressure exceeding 1,500 lbs. to absorb over 80% of impact force. Anchor bolts are protected by at least 3" of rubber to prevent damage.



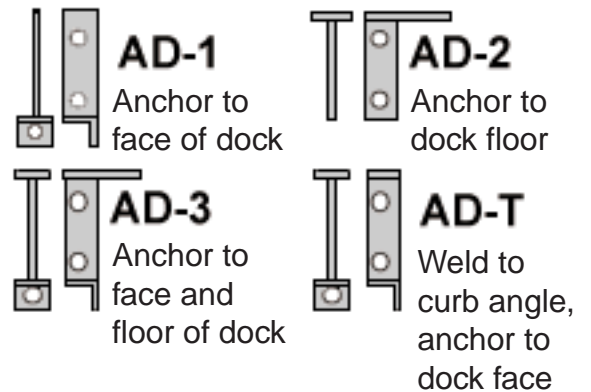
### Material/Thickness

Fabric reinforced rubber pads cut from selected recycled truck tires. Rubber pads laminated between structural steel angles and secured with 3/4" steel tie rods.

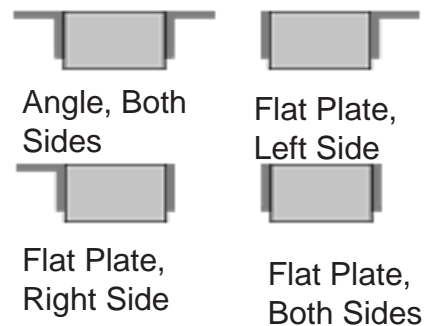
### Installation

Structural mounting angles permit welded installations or provide bolting through steel

**Extra Length bumpers must be supported in the center. You will need to specify one of these anchorage devices when placing your order.**



Bumpers may be ordered with angles or flat plates at each end. Use a flat plate for mounting bumper next to a dock leveler, or where the space is too tight to allow the use of angles. Note: When using the flat plate, it is welded to the dock.



MODEL: *B4510-87-A3*

*Size*

Projection                    4-1/2"  
Height                        10"

*Length:*

-Overall                        89"  
-Anchor Holes                87"  
-Rubber                        83"  
Angle Size (2)                1/4"x3"x3"x9-1/2"

Bolt Heads Are Inscribed  
"DURABLE CORP"

All measurments are within +/- 1/8"

