



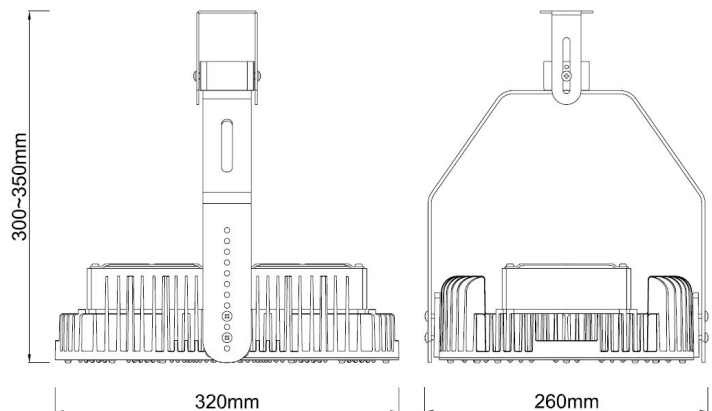
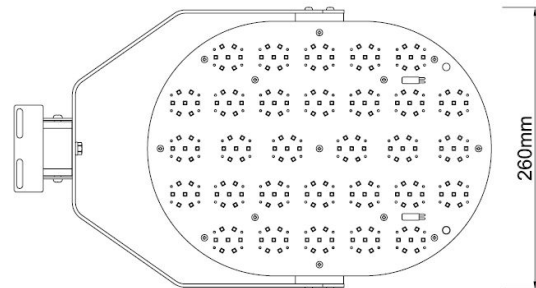
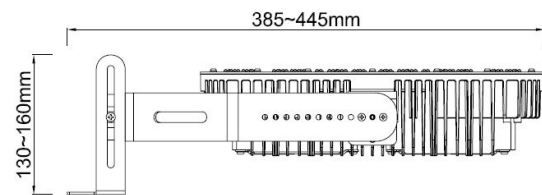
DLC Listed

NAME: LED Retrofit Kits

P/N: CLS-400WV1

Advantage:

- UL cUL DLC CE RoHS certificate
- CREE Chip, SUNON fan
- High CRI
- Mean Well IP65 driver,
Input voltage 100-277VAC
- No UV or IR in the beam
- Easy to install and operate
- Energy saving, long service life
- Light is soft and uniform, safe to eyes
- Instant start, NO flickering, NO humming
- Green and eco-friendly without mercury.



Application:

- ◆ Outdoor Pole/Arm-Mounted Area and Roadway Luminaires;
- ◆ High-Bay Luminaires for Commercial and Industrial Buildings.

TECHNICAL DATA SHEET

Product Specifications

Product name	LED Retrofit Kits
Part No	CLS-400WV1
Light Type	Retrofit Kits
Dimension	(385-445) *260* (130-160) mm 320*260* (300-350) mm

Technical Characteristic

Color temperature	4000K	4500K	5000K	5700K
CRI	>70			
Lumen	38000-46000LM			
Input Power	400W			
Viewing Angle	120Degree			
Input Voltage	100-277VAC		50/60Hz	
Driver model	HLG-240H-54A * 2 (Mean Well Driver)			
PFC	>0.9			
Equivalent	3000W incandescent / 850W CFL			
Waterproof Rating	IP40			

Materials

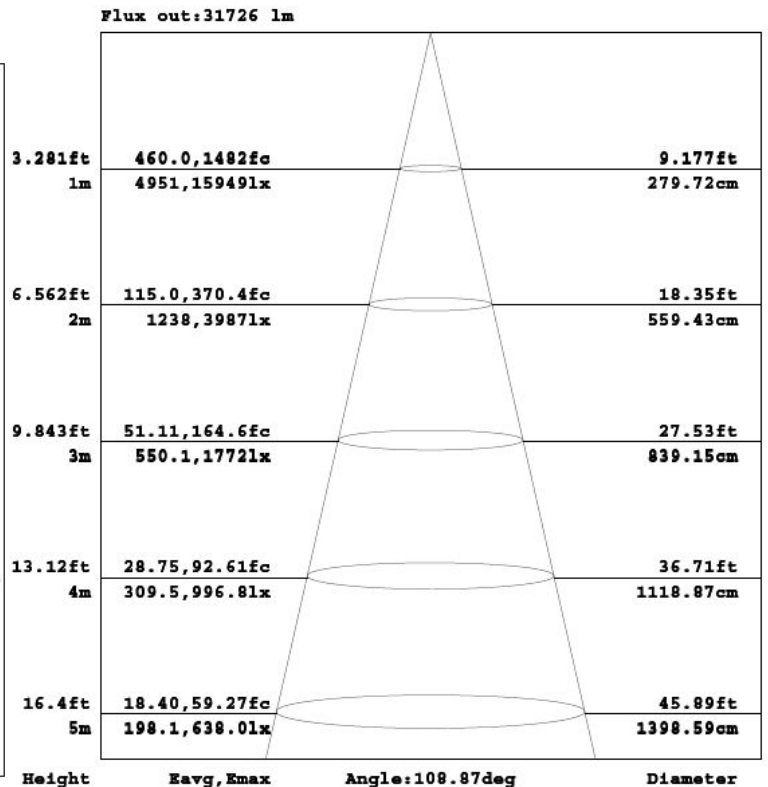
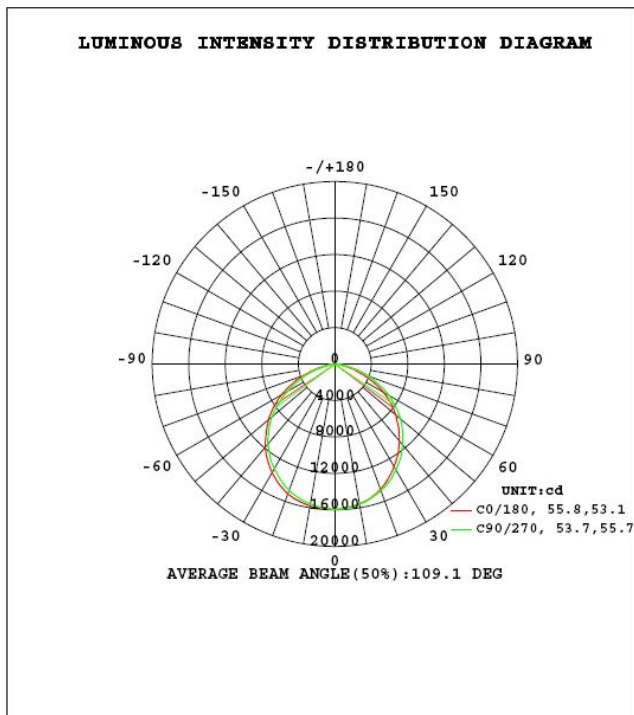
LED Brand	CREE
LED Type	XTE, 1 - 5W
LED QTY	210 PCS
Housing	Aluminum
Housing color	Gray

Others

Operating Temperature	-20℃ TO 45℃
Operating Humidity	20%-90% RH
Storage Temperature	-30℃ TO 80℃
Storage Humidity	10%-95%
Application	Outdoor Pole/Arm-Mounted Area and Roadway Luminaires High-Bay Luminaires for Commercial and Industrial Buildings
Safety Certification	UL、cUL、DLC、CE、RoHS
Warranty Time	5 Years

Light Distribution Testing Parameters

DATA OF LAMP		PHOTOMETRIC DATA Eff: 105.78 lm/W			
MODEL	SNC-RKNUS-400WV1	I _{max} (cd)	15919	S/MH(C0/180)	1.28
NOMINAL POWER (W)	400	LOR (%)	100.0	S/MH(C90/270)	1.24
RATED VOLTAGE (V)	120	TOTAL FLUX (lm)	42457	η UP, DN(C0-180)	0.1, 50.8
NOMINAL FLUX (lm)	42457	CIE CLASS	DIRECT	η UP, DN(C180-360)	0.1, 49.0
LAMPS INSIDE	1	η up (%)	0.2	CIBSE SHR NOM	1.25
TEST VOLTAGE (V)	120.0	η down (%)	99.8	CIBSE SHR MAX	1.35

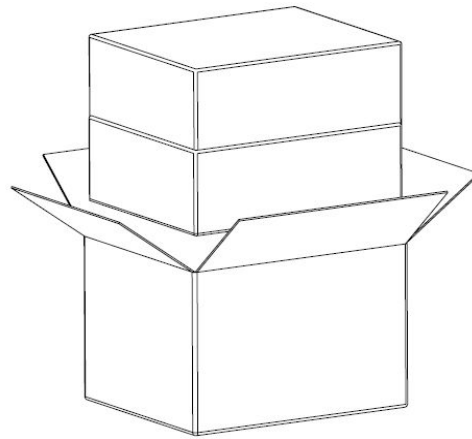
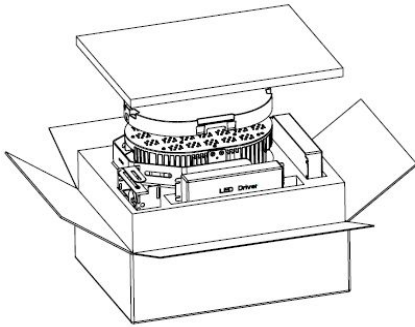


Note: The Curves indicate the illuminated area and the average illumination when the luminaire is at different distance.

Package

Lamps Net Weight: 8 KG / PC

	Size	Qty/Carton	Weight/Carton
inner box	50*38*17 CM	1	9.4 KG
Outer box	51*40*36 CM	2	20 KG



Notice For User

- ◆ Please turn off power before install or change assembly parts.
- ◆ The input voltage and lamps should be matched, after connecting the power line, Please make sure the wiring section is insulated.
- ◆ No-professionals, must not install and disassemble the lamps.

Trouble Shootings

Troubles	Check points
Flickering of the light	Turn off the power and turn on again in 3 minutes. If same phenomena occur, then call agencies
Out of working	Please check the connection