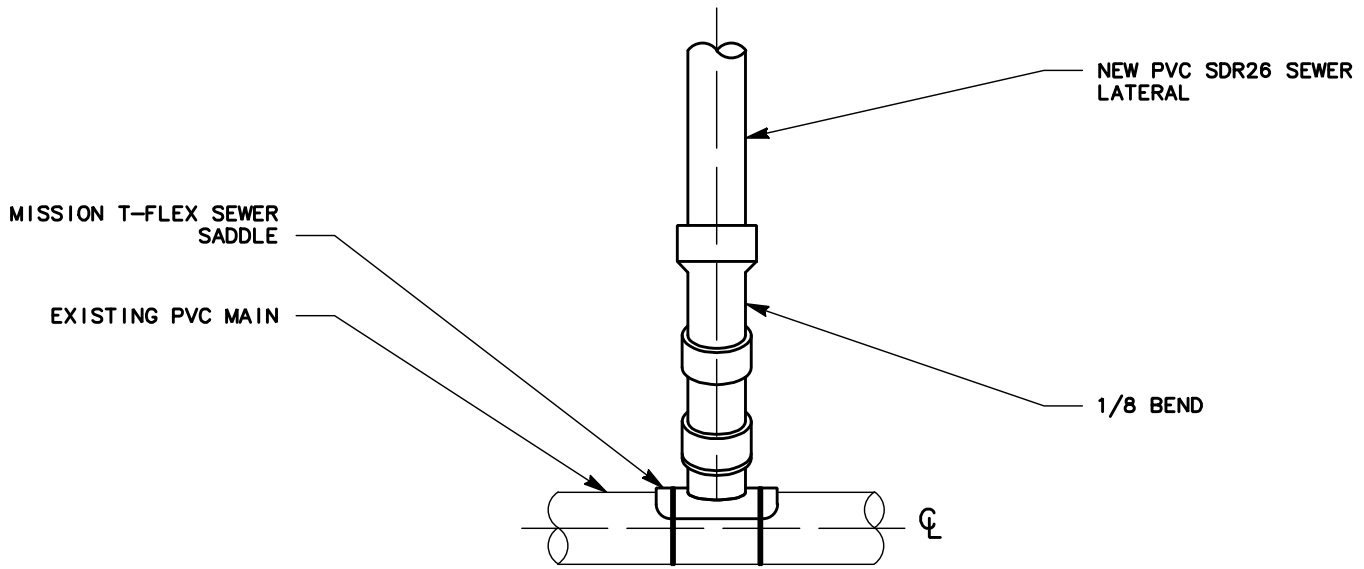
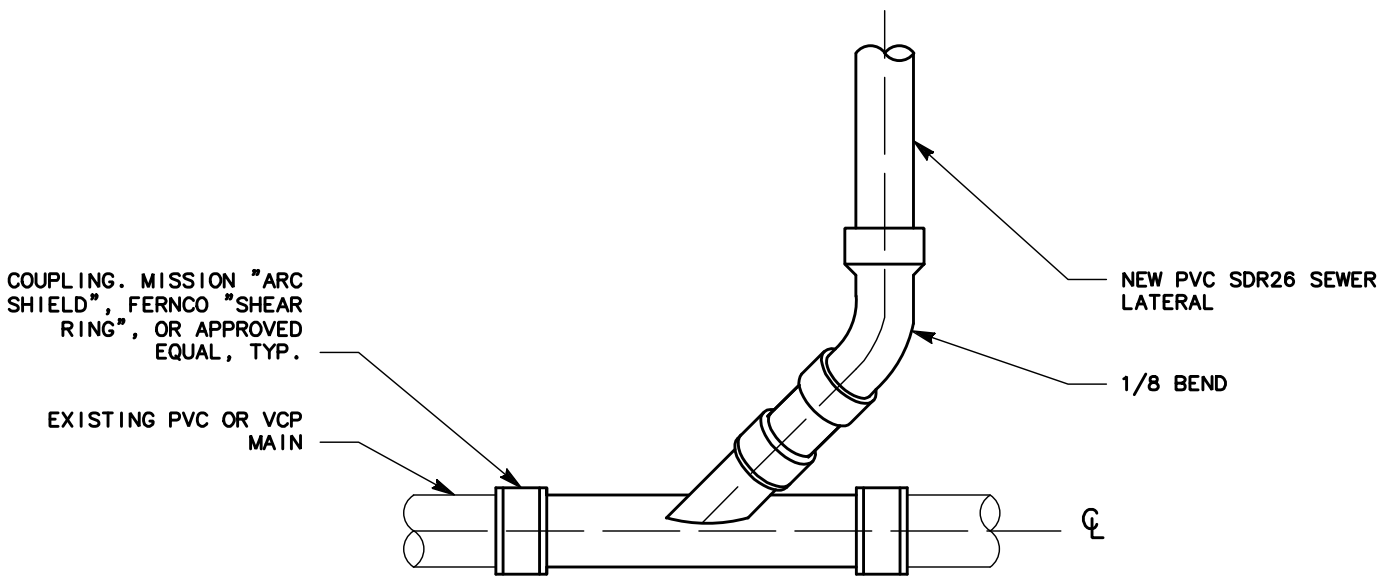




BURBANK SANITATION DISTRICT



DETAIL A



DETAIL B

NOTES:

- 1. DETAIL A – NEW LATERAL INTO EXISTING PVC SEWER MAINS
- 2. DETAIL B – NEW LATERAL INTO EXISTING PVC & VCP (CLAY) SEWER MAINS

LATERAL CONNECTIONS TO MAINS

DETAIL **8**

DR. BY: ED DATE: 08/30/2017

CK. BY: FQ DATE: 10/20/2017

APPROVED. BY: *REC*

DATE: 10/25/2017