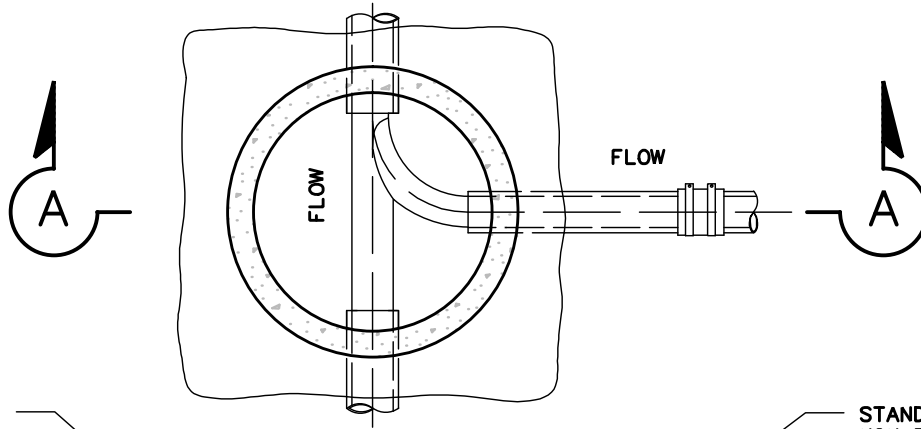




# BURBANK SANITATION DISTRICT

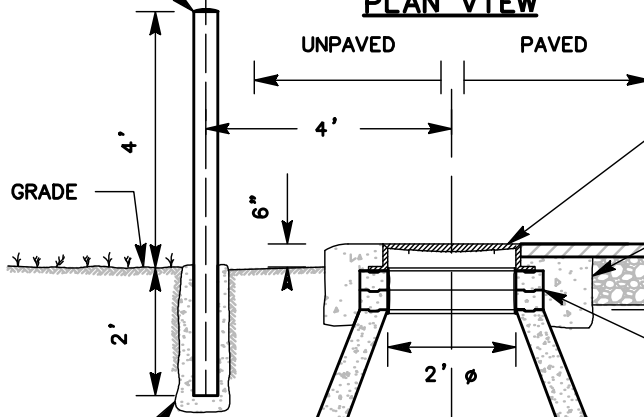
SEE CITY/COUNTY TRENCH  
DETAIL FOR BACKFILL  
REQUIREMENTS AND  
SEE DISTRICTS STANDARD  
TRENCH DETAIL  
FOR MINIMUM BACKFILL  
REQUIREMENTS



**PLAN VIEW**

MARKER POST, 4" SCH40 STEEL PIPE 6' LONG FILLED WITH CONCRETE

STANDARD 24" HEAVY DUTY NON-ROCKING SANITARY MANHOLE FRAME & COVER, P-1090 OR EQUAL. WHERE SPECIFIED, PRESSURE TYPE MANHOLE FRAME & COVER, P-1002 OR EQUAL



CLASS A PCC RING (12" DEEP, 12" WIDE)  
FINISHED GRADE

AC  
CLASS 2 AB } SEE STANDARD SPECS

3" ADJUSTING RINGS. MAXIMUM 2, UNLESS OTHERWISE DIRECTED BY DISTRICT ENGINEER

HIGH-ADHESION GASKETING MATERIAL. RAM-NEK OR APPROVED EQUAL

STANDARD PRECAST MANHOLE CONE & RING

REINFORCEMENT REQUIRED FOR DEPTHS GREATER THAN 10'

CLASS A PCC

BASE TO BE POURED AGAINST UNDISTURBED NATIVE MATERIAL OR PRECAST BASE, IF APPROVED BY DISTRICT ENGINEER

PIPE TO BE SAME SIZE AS EXISTING MAIN. PVC SDR26 OR APPROVED EQUAL

COUPLING

**SECTION A-A**

**NOTES:**

1. COUPLING BAND SHALL BE MISSION Banded STAINLESS STEEL "ARC SHIELD", FERNCO STAINLESS STEEL "SHEAR RING", OR APPROVED EQUAL. COUPLING BAND IS REQUIRED FOR ALL CONNECTIONS TO THE MANHOLE.
2. ALL CONCRETE TO BE SIX (6) SACK.
3. ALL GROUT SHALL CONTAIN "HYDROPEL" EXCEPT WHEN DIRECTED OTHERWISE BY DISTRICT ENGINEER.

## STANDARD MANHOLE

DETAIL **2**

DR. BY: ED  
DATE: 08/30/2017

CK. BY: FQ  
DATE: 10/20/2017

APPROVED BY: *REC*

DATE: 10/25/2017