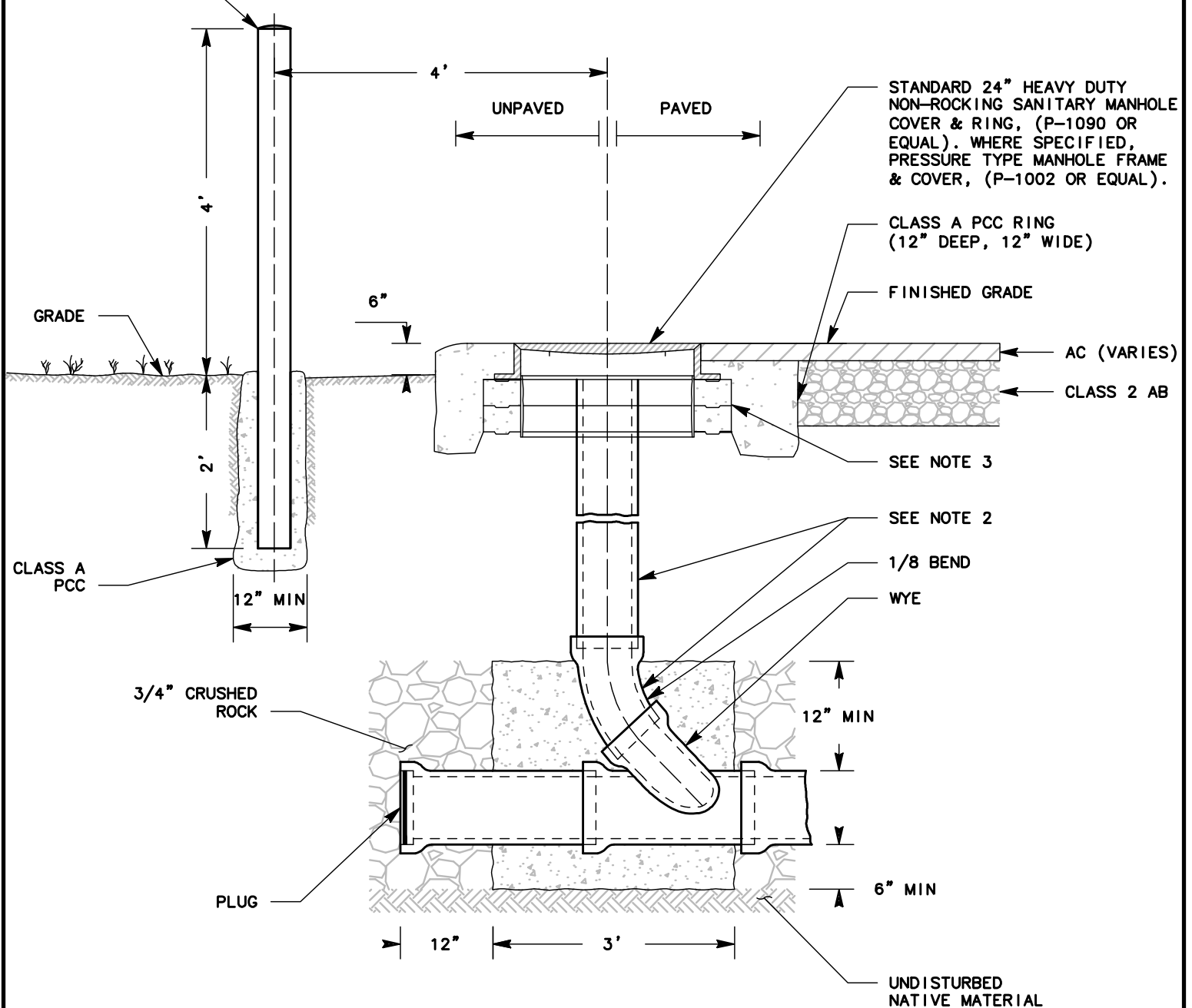




# CUPERTINO SANITARY DISTRICT

MARKER POST. 4"  
SCH40 STEEL PIPE  
6' LONG FILLED  
WITH CONCRETE



## NOTES:

1. SEE CITY/COUNTY TRENCH DETAIL FOR BACKFILL REQUIREMENTS AND SEE CUSD STANDARD TRENCH DETAIL FOR MINIMUM BACKFILL REQUIREMENTS.
2. RISER & 1/8 BEND TO BE SAME SIZE AS EXISTING MAIN. PVC SDR26, OR APPROVED EQUAL. PRIOR WRITTEN APPROVAL BY DISTRICT ENGINEER REQUIRED FOR ALL SUBSTITUTIONS OF MATERIALS OR CONFIGURATION.
3. 3" ADJUSTING RINGS. MAXIMUM 2, UNLESS OTHERWISE DIRECTED BY DISTRICT ENGINEER.

## FLUSHING INLET

DETAIL **5**

DR. BY: ED  
DATE: 08/30/2017

CK. BY: FQ  
DATE: 10/20/2017

APPROVED. BY:

DATE: 10/25/2017