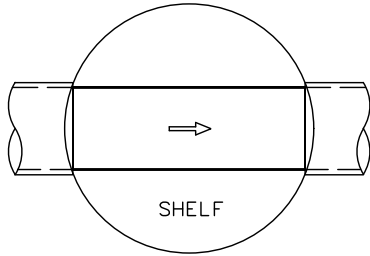
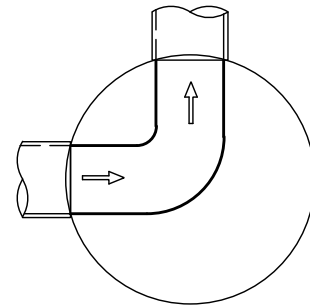




# CUPERTINO SANITARY DISTRICT



**TYPICAL STRAIGHT THROUGH MANHOLE**

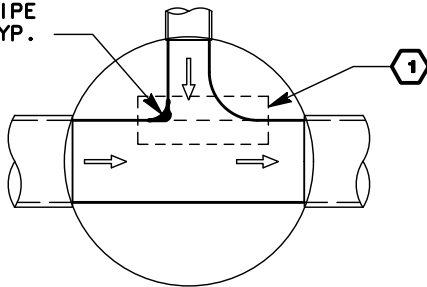


**TYPICAL CURVED MANHOLE**

**NOTES:**

1. LAY PIPE THROUGH THE BOTTOM OF MANHOLE
2. AFTER CONCRETE HAS SET, REMOVE UPPER PORTION OF PIPE

CHANNELIZE IN DIRECTION OF FLOW. DO NOT INTRUDE MORE THAN 20% OF PIPE DIAMETER, TYP.

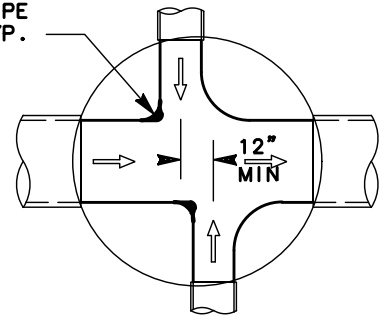


**TYPICAL MANHOLE WITH 1 BRANCH**

**NOTES:**

1. REMOVE PORTION OF PIPE IN BOXED AREA ABOVE
2. THEN LAY PIPE THROUGH THE BOTTOM OF MANHOLE
3. AFTER CONCRETE HAS SET, REMOVE UPPER PORTION OF PIPE

CHANNELIZE IN DIRECTION OF FLOW. DO NOT INTRUDE MORE THAN 20% OF PIPE DIAMETER, TYP.



**TYPICAL MANHOLE WITH 2 BRANCHES**

**NOTES:**

1. WHEN FOUR LINES COME INTO A MANHOLE, THE TWO LINES WHICH EMPTY INTO THE MAIN CHANNEL ARE TO BE STAGGERED FROM CENTERLINE TO CENTERLINE BY 12" MINIMUM

**NOTES:**

1. CHANNELS TO BE FORMED TO APPROXIMATE WIDTH, SIZE, & SHAPE OF PIPE AND FINISHED WITH GROUT
2. THICKNESS OF GROUT TO BE APPROXIMATELY HALF AN INCH (1/2")
3. TROWEL SMOOTH CURVES TO FIT, TYP

FILE NO.  
SP-248

## MANHOLE CHANNELS

DETAIL **3**

DR. BY: ED  
DATE: 05/04/2020

CK. BY: FQ  
DATE: 05/04/2020

APPROVED. BY:

DATE: 05/04/2020