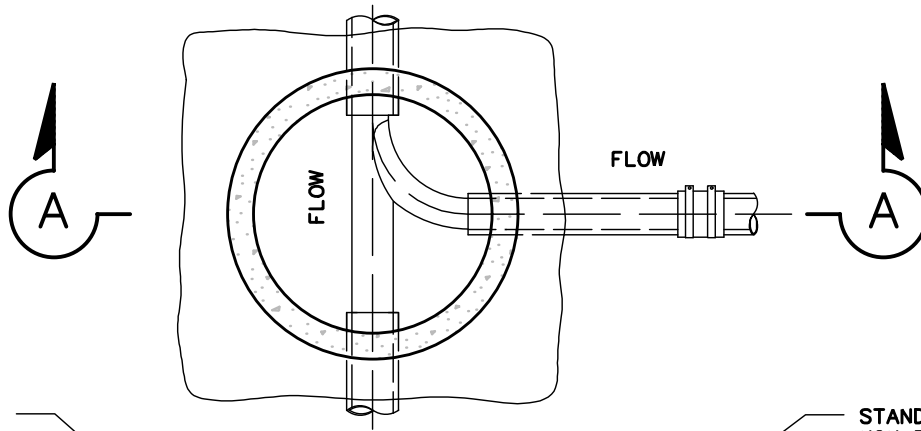




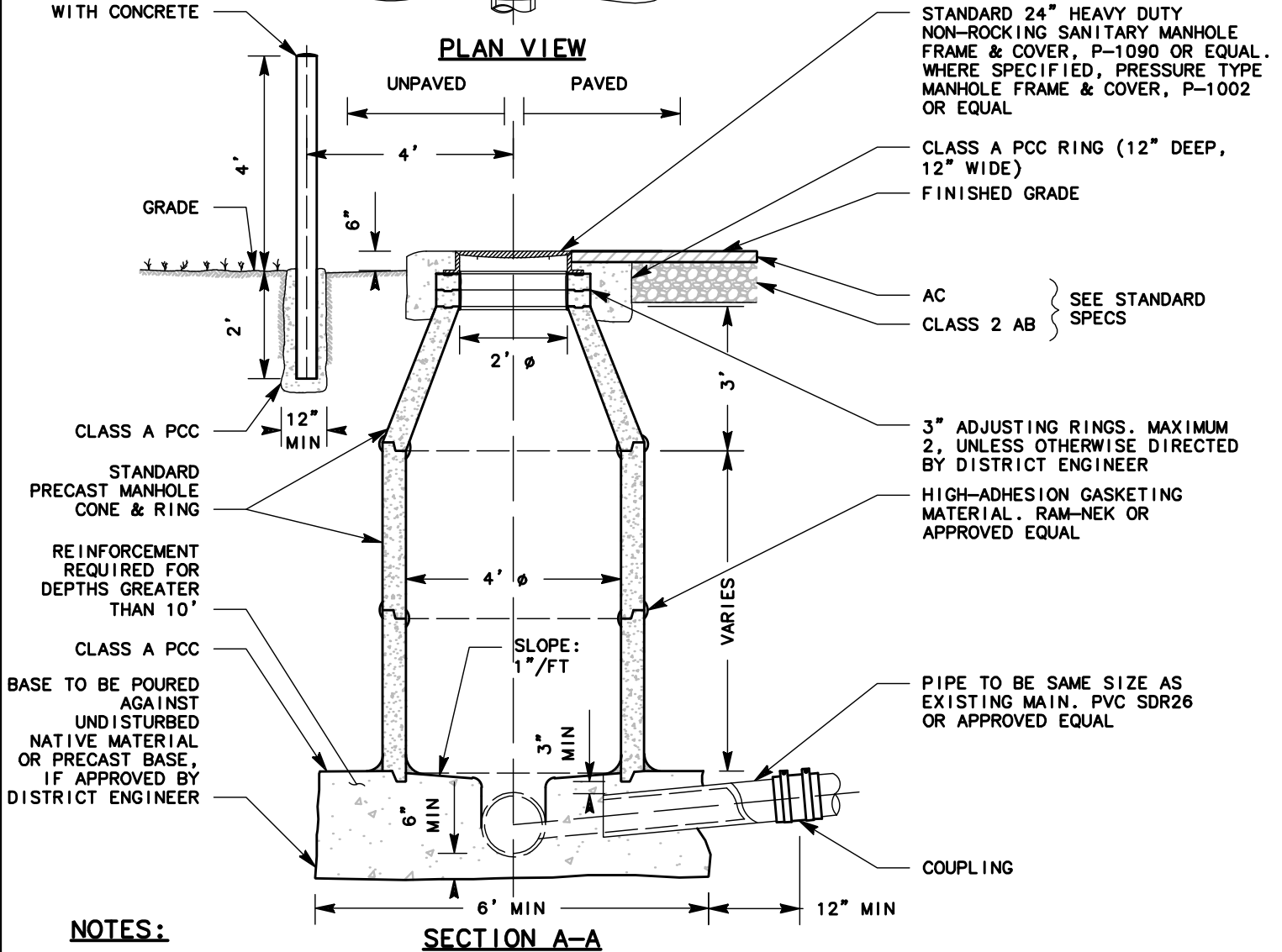
# CUPERTINO SANITARY DISTRICT

SEE CITY/COUNTY TRENCH  
DETAIL FOR BACKFILL  
REQUIREMENTS AND  
SEE CUSD STANDARD TRENCH  
DETAIL  
FOR MINIMUM BACKFILL  
REQUIREMENTS



**PLAN VIEW**

MARKER POST. 4" SCH40 STEEL PIPE 6' LONG FILLED WITH CONCRETE



**SECTION A-A**

**NOTES:**

1. COUPLING BAND SHALL BE MISSION Banded STAINLESS STEEL "ARC SHIELD", FERNCO STAINLESS STEEL "SHEAR RING", OR APPROVED EQUAL. COUPLING BAND IS REQUIRED FOR ALL CONNECTIONS TO THE MANHOLE.
2. ALL CONCRETE TO BE SIX (6) SACK.
3. ALL GROUT SHALL CONTAIN "HYDROPEL" EXCEPT WHEN DIRECTED OTHERWISE BY DISTRICT ENGINEER.

## STANDARD MANHOLE

DETAIL **2**

DR. BY: ED  
DATE: 05/04/2020

CK. BY: FQ  
DATE: 05/04/2020

APPROVED. BY:

DATE: 05/04/2020