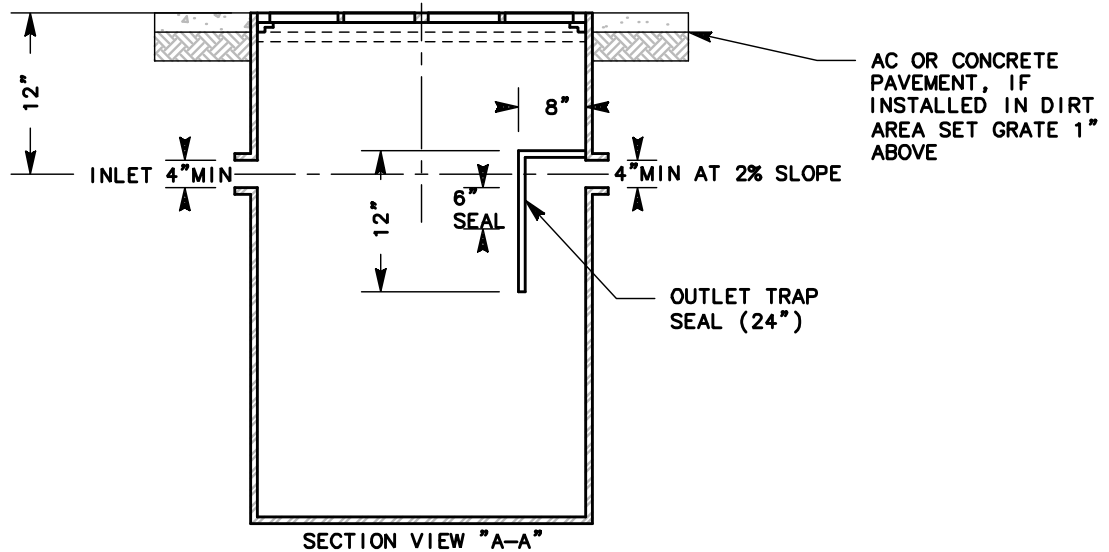
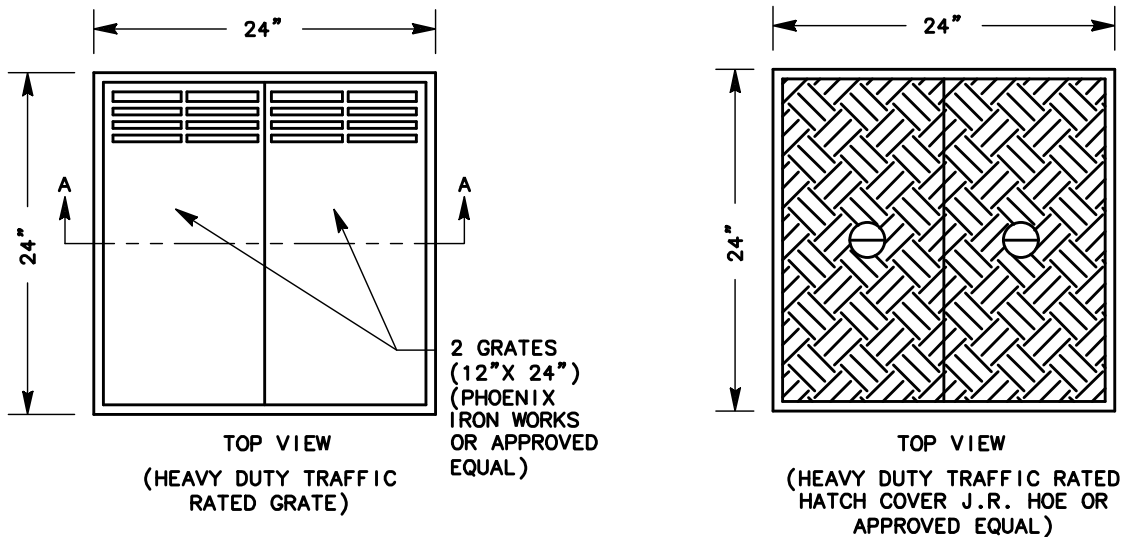




CUPERTINO SANITARY DISTRICT



NOTES:

1. SAND INTERCEPTOR SHALL BE INSTALLED FOR TRASH ENCLOSURE, UNDERGROUND PARKING GARAGE, OR OTHER LOCATIONS AS REQUIRED BY THE ENGINEER.

2. TYPE OF UNITS

A) MAY BE FABRICATED STEEL CATCH BASIN, GRAY DUCO COATED INSIDE AND OUTSIDE, THREADED INLET & OUTLET PER ZURN Z1187-S1 OR APPROVED EQUAL

B) MAY BE A PRECAST CONCRETE UNIT (OLDCASTLE OR JENSEN 2' X 2' DRAINAGE INLET) FITTED WITH STEEL OUTLET TRAP SEAL COATED GRAY DUCO OR APPROVED EQUAL.

SAND INTERCEPTOR

DETAIL 11

DR. BY: DATE:
JB 05/04/2020

CK. BY: DATE:
RTK 05/04/2020

APPROVED. BY:

DATE: 05/04/2020